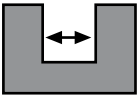
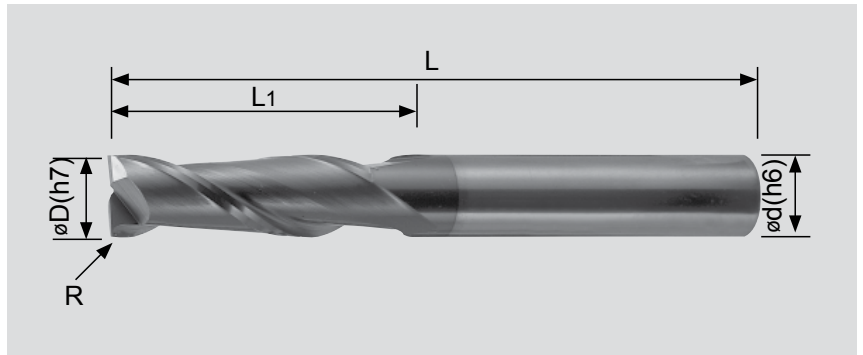


鎢鋼 2刃 圓鼻 立銑刀

TUNGSTEN CARBIDE 2-FLUTE CORNER RADIUS END MILL



$d \leq 3$ -0.005 ~ -0.028
 $3 < d \leq 6$ -0.015 ~ -0.038
 $6 < d \leq 18$ -0.020 ~ -0.047
 $18 < d$ -0.020 ~ -0.053



- 超細微粒碳化鎢材質
- Micro-Grain Tungsten Carbide

適用材質：

碳素鋼、模具鋼、合金鋼、工具鋼、
不鏽鋼、鑄鐵、熱處理鋼料、焊補鋼料。

Applicable material:

Carbon steel, mold steel, alloy steel, welded steel,
tool steel, stainless steel, cast iron, heat-treated steel.

R角結構適合切削高硬度材，刀尖不易崩裂，
並可替代小徑球型銑刀，可作清角和曲面銑削

The R corner configuration is excellent for cutting
high hardness materials without edge collapse.
Also, It's replacable for small radius ball end mill, and
permitting for corner cleaning and curving surface milling.

單位: Unit : mm

訂購編號 EDP NO.	刃徑 D Flute Dia.	刃長 L ₁ Length of Cut	R 徑 Radius	全長 L Overall Length	柄徑 d Shank Diameter	刃數 Flute Number	AK45	AK925
2ECR-D1.0L50-R02	1.0	2.0	0.2	50	4.0	2	●	●
2ECR-D1.5L50-R02	1.5	3.0	0.2	50	4.0	2	●	●
2ECR-D2.0L50-R02	2.0	5.0	0.2	50	4.0	2	●	●
2ECR-D2.0L50-R05	2.0	5.0	0.5	50	4.0	2	●	●
2ECR-D3.0L50-R02	3.0	6.0	0.2	50	4.0	2	●	●
2ECR-D3.0L50-R05	3.0	6.0	0.5	50	4.0	2	●	●
2ECR-D4.0L50-R02	4.0	8.0	0.2	50	4.0	2	●	●
2ECR-D4.0L50-R05	4.0	8.0	0.5	50	4.0	2	●	●
2ECR-D4.0L50-R10	4.0	8.0	1.0	50	4.0	2	●	●
2ECR-D5.0L50-R02	5.0	12.0	0.2	50	6.0	2	●	●
2ECR-D5.0L50-R05	5.0	12.0	0.5	50	6.0	2	●	●
2ECR-D5.0L50-R10	5.0	12.0	1.0	50	6.0	2	●	●
2ECR-D6.0L50-R02	6.0	20.0	0.2	50	6.0	2	●	●
2ECR-D6.0L50-R05	6.0	20.0	0.5	50	6.0	2	●	●
2ECR-D6.0L50-R10	6.0	20.0	1.0	50	6.0	2	●	●
2ECR-D6.0L50-R20	6.0	20.0	2.0	50	6.0	2	●	●
2ECR-D8.0L60-R02	8.0	25.0	0.2	60	8.0	2	●	●
2ECR-D8.0L60-R05	8.0	25.0	0.5	60	8.0	2	●	●
2ECR-D8.0L60-R10	8.0	25.0	1.0	60	8.0	2	●	●
2ECR-D8.0L60-R20	8.0	25.0	2.0	60	8.0	2	●	●
2ECR-D10.0L75-R05	10.0	30.0	0.5	75	10.0	2	●	●
2ECR-D10.0L75-R10	10.0	30.0	1.0	75	10.0	2	●	●
2ECR-D10.0L75-R15	10.0	30.0	1.5	75	10.0	2	●	●
2ECR-D10.0L75-R20	10.0	30.0	2.0	75	10.0	2	●	●
2ECR-D10.0L75-R30	10.0	30.0	3.0	75	10.0	2	●	●
2ECR-D12.0L75-R05	12.0	30.0	0.5	75	12.0	2	●	●
2ECR-D12.0L75-R10	12.0	30.0	1.0	75	12.0	2	●	●
2ECR-D12.0L75-R15	12.0	30.0	1.5	75	12.0	2	●	●
2ECR-D12.0L75-R20	12.0	30.0	2.0	75	12.0	2	●	●
2ECR-D12.0L75-R30	12.0	30.0	3.0	75	12.0	2	●	●

註: 有●者表示有庫存

切削條件表請參考第87頁

NOTE: ● means items in stock